



Figure K
70
Total K
72

Judges Name	
Signature	Number

Flight #

wind/vent ← **R**

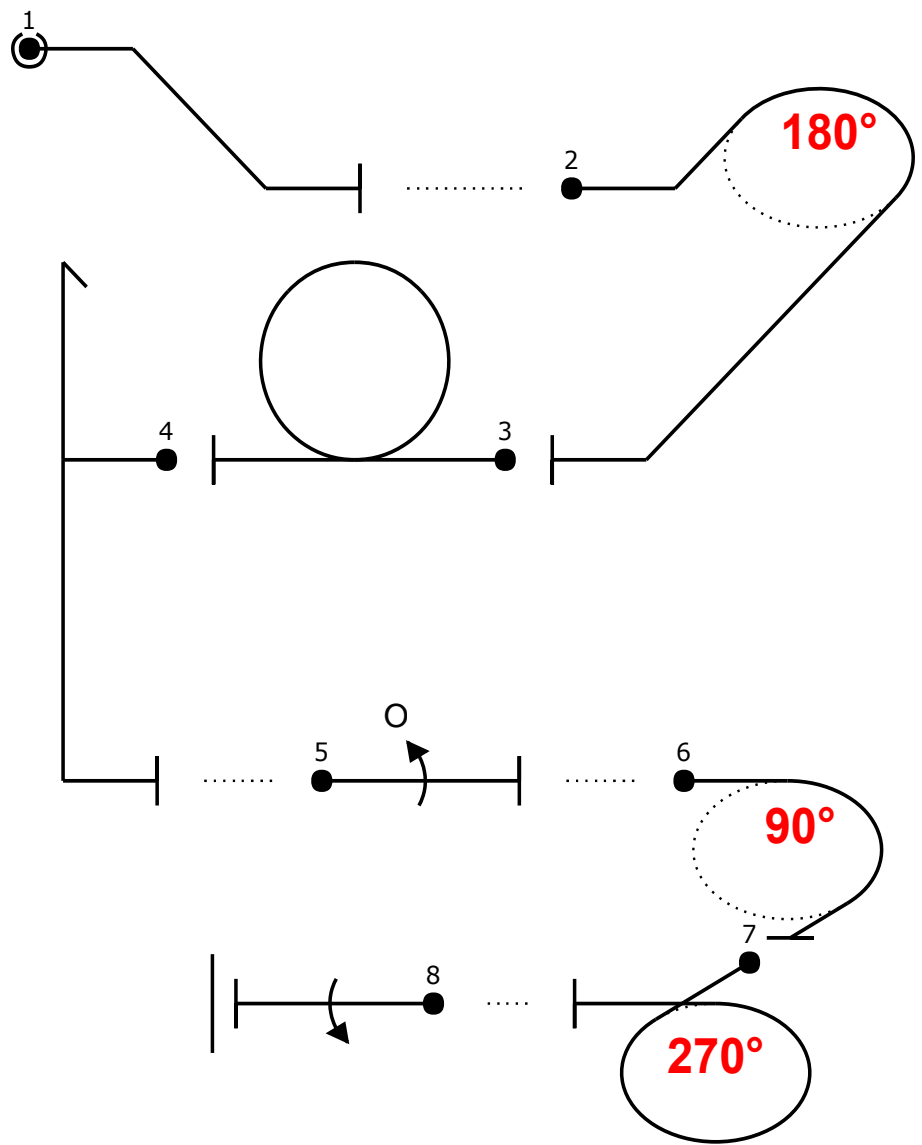


Fig	Pos	Remarks	Grade
1			.
2			.
3			.
4			.
5			.
6			.
7			.
8			.

Positioning	2	.
-------------	---	---

Too Low		Trg Violation	
Too High		Wing Rocks	
Interruptions		Disqual Fig	
Insertions		Other(note...)	

id (5,0) jw... o h... (3,0) 1 (3,0) j 3j (-2,0) 1

Fig 1 1.1.2.3	K 7	Fig 2 0.0	K 8	Fig 3 7.4.1.1	K 10	Fig 4 5.2.1.1	K 17	Fig 5 1.1.1.1 9.1.3.4	K 2 8	Fig 6 2.1.1.1	K 3	Fig 7 2.3.1.1	K 5	Fig 8 1.1.1.1 9.1.3.4	K 2 8
SF 7	7	SF 7	8	SF 7	10	SF 5	17	SF 7	10	SF 2	3	SF 2	5	SF 7	10

Pilot:

A/C:



AAC	Entry	2017
Known		

Figure K
70
Total K
72

Judges Name		Flight #
Signature	Number	

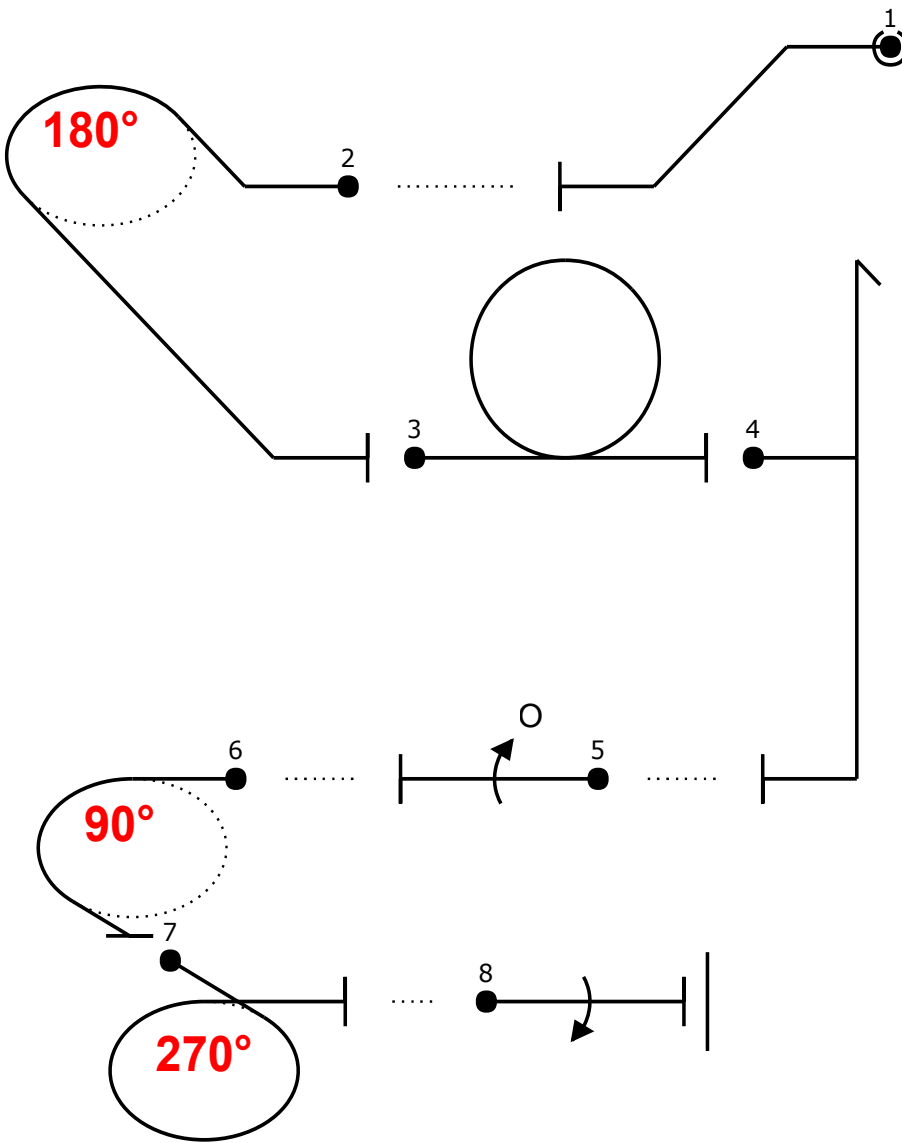
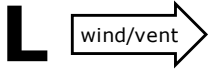


Fig	Pos	Remarks	Grade
1			.
2			.
3			.
4			.
5			.
6			.
7			.
8			.

Positioning	2	.
-------------	---	---

Too Low		Trg Violation	
Too High		Wing Rocks	
Interruptions		Disqual Fig	
Insertions		Other(note...)	

id (5,0) jw... o h...' (3,0) 1 (3,0) j 3j (-2,0) 1

Fig 1 1.1.2.3	K 7	Fig 2 0.0	K 8	Fig 3 7.4.1.1	K 10	Fig 4 5.2.1.1	K 17	Fig 5 1.1.1.1 9.1.3.4	K 2 8	Fig 6 2.1.1.1	K 3	Fig 7 2.3.1.1	K 5	Fig 8 1.1.1.1 9.1.3.4	K 2 8
SF 7	7	SF 7	8	SF 7	10	SF 5	17	SF 7	10	SF 2	3	SF 2	5	SF 7	10

Pilot:

A/C:

wind/vent

